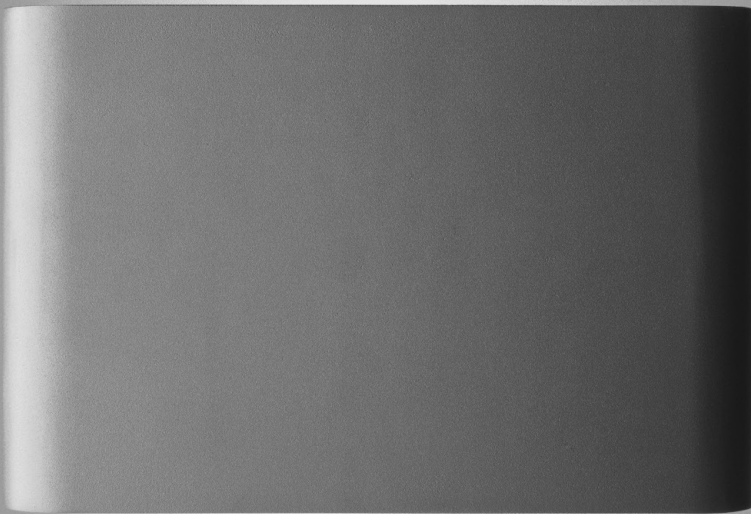
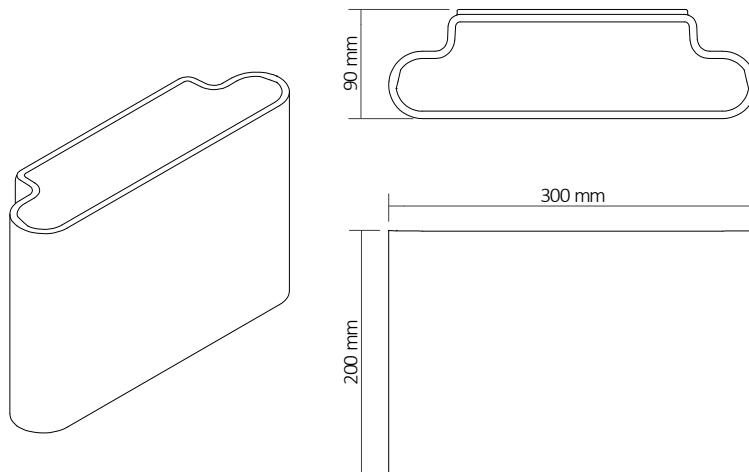


OUTFIT L900





## OUTFIT L900 - WALL LIGHT

**Design:** Anne Qvist Design Office

### Light distribution

Direct and symmetrical. Up- and downlight

### Materials

Housing in cast aluminium, powder coated  
Wall plate in anodized aluminium

### Optics

Polycarbonate satiné blend lamp cover, LED optimized

### Light source data

LED type: Philips Fortimo LEDstrip Gen4  
Operational life: Min. 50.000 hours at ta max 25° C.  
L80B10  
Total consumption: 10W v/230mA  
Colour temperature: 3000 or 4000 Kelvin  
Colour rendering: CRI >80 (possibility for >90)  
Colour accuracy: 3 steps SDCM  
Luminous efficacy: 35 lm/W

### Driver data

Driver type: Philips Xitanium  
Operational life: Min. 50.000 hours  
Surge protection: 2 kV  
Dimming: No. Can be delivered with DALI-driver against surcharge

### Installation

Wall mounted

### Connection

Access backwards. 2 cables max 5 x 2,5 mm<sup>2</sup>  
5-pole push-in terminal

### CE

Classification: IP56. IK10. Insulation safety class I  
Weight 2,5 kg.