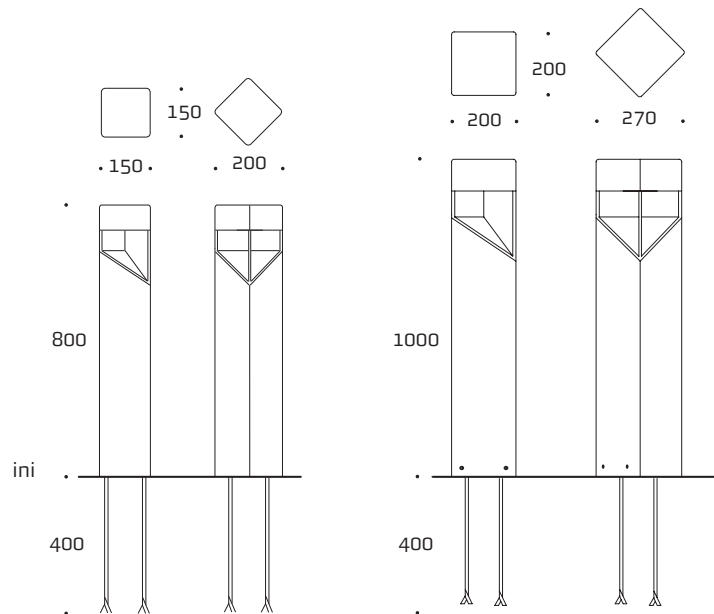


FACET L104





FACET L104 - BOLLARD LIGHT

Design: Jan Fugl og Kai Hansen

Light distribution	Unique reflector design for an indirect and asymmetrical light distribution
Materials	Hot galvanized steel or powder coated hot galvanized steel
Optics/Reflector	Clear shockproof polycarbonate lamp cover. Reflector in powder coated silumin
Height	L104 mini: 800 mm L104: 1000 mm
Light source	LED 14W/830/1100Lm. 50Khrs. (L104 mini) LED 28W/830/2100Lm. 50Khrs. (L104)
Installation	Internal flange with 4 concrete anchors. Concrete anchors included Connection: 3 cables max. 5x10 mm ² , 2 cables max. 5x16 mm ² Connection box and fuse are included.
CE	
Classification:	IP54. IK10. Insulation safety class II
Weight	32 / 15 kg.

Lampas